

FEATHER WEIGHT

**LOW-BACK SEAT
"ROCK SOLID"**



Freedman Seating Company's *Feather Weight* seats are designed to be like feathers on a bird: light and airy to satisfy weight restrictions and ensure a smooth ride, yet durable for years of service and low maintenance.

Freedman Seating *Feather Weight* seats are the most severely tested in the company's history, and meet all applicable federal motor vehicle safety standards for strength and safety (including 210 for seat belts). Less weight means one thing to bus builders and operators: they can get more passengers per bus. And when we say more passengers, **we mean more happy passengers.**

Not Just Seats



Seating Solutions™

THE FEATHER WEIGHT SERIES BY

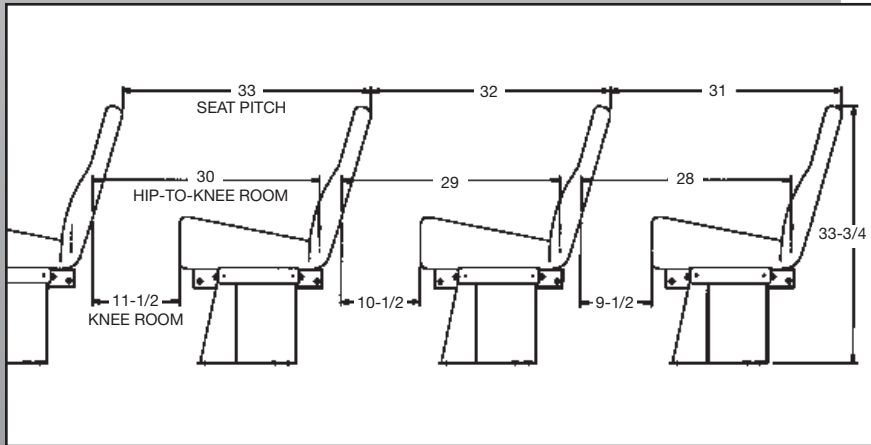
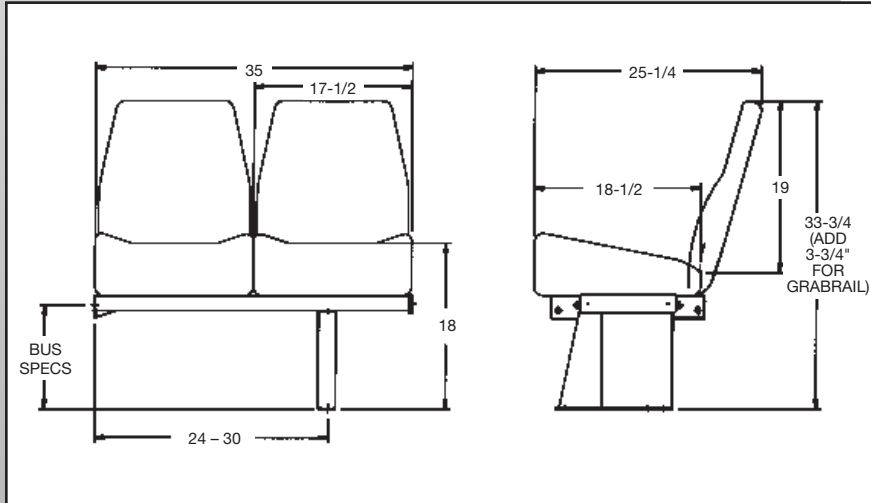
FREEDMAN

SEATING COMPANY

an ISO 9001:2000 certified company

FEATHER WEIGHT

LOW-BACK SEAT "ROCK SOLID"



If you're looking for an economical seat for your para-transit, shuttle or perimeter bus, the Freedman *Feather Weight* Low-Back is the right seat for you. Available with grab rails, flip-up arms and more, the Low-Back is designed to be functional and safe. The ultra-thin backrest gives outstanding support and creates more hip-to-knee room than any other seat in its class. The steel frame system meets or exceeds all applicable government standards for safety and durability. And, it's light as a feather!

Feather Weight Low-Back features include:

- An ultra-thin backrest for added hip-to-knee room and lumbar support
- Molded polyurethane seat and back cushions for comfort and long lasting support
- 17½" wide seat cushions
- 19" back height off the seat cushion, 33¾" off the floor
- Wire mesh-grid seat springs for even support
- FMVSS 210 compliance—all *Feather Weight* seats are seat belt ready
- Transit style—rigid backrests (starting weight without options—42½ lbs.)
- Covers that can be removed and replaced easily and without the use of special tools

Feather Weight Low-Back options include:

- Black molded *U.S. Arms* or upholstered flip-up armrests
- Black or yellow padded grab rails
- Mesh map pockets
- Vertical stitching
- FTA foam
- Aluminum folding footrests

Not Just Seats



THE FEATHER WEIGHT SERIES BY

FREEDMAN
SEATING COMPANY

an ISO 9001:2000 certified company

4545 W. Augusta Blvd., Chicago, IL 60651
(773) 524-2440 (800) 443-4540 Fax: (773) 252-7450
WWW.FREEDMANSEATING.COM
e-mail: sales@freedmanseat.com

We are constantly updating and improving our seats; therefore we reserve the right to change or modify specifications or materials without notice. All Freedman Seating Company seats meet or exceed FMVS standards.

Seating Solutions™

